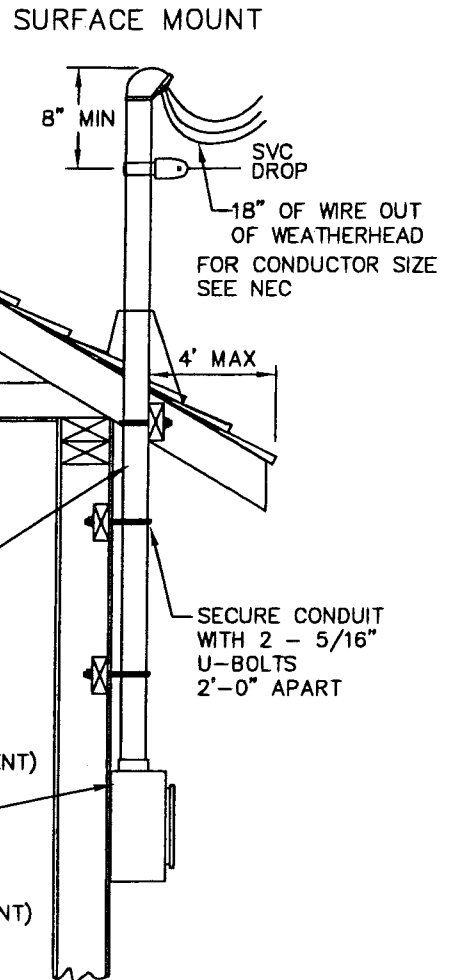


SEE NEC FOR CLEARANCES

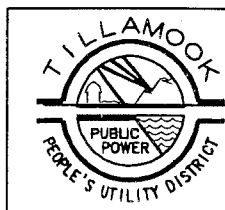


NOTES:

1. IF MAST EXCEEDS 36" HIGH, GUYS ARE REQUIRED.
2. AN APPROVED GROUND TO BE INSTALLED AS REQUIRED BY NATIONAL ELECTRICAL CODE.
3. CONDUIT SIZE - 2" FOR 200 AMP AND LESS. 3" FOR 201 AMP TO 400 AMP.
4. A LINK STYLE BY PASS DEVICE IS REQUIRED FOR SINGLE PHASE CIRCUITS IN EXCESS OF 200 AMPERES. (NOT ALLOWED ON 200 AMP. SERVICES AND BELOW)
5. STAINLESS STEEL METER BASES ARE RECOMMENDED FOR OCEAN FRONT AREAS !!
6. METER SHOULD BE LOCATED ON FRONT OR SIDE OF STRUCTURE CLOSEST TO UTILITIES. IF ON SIDE OF STRUCTURE IT SHALL BE WITHIN 10 FT. OF THE FRONT CORNER.

SINGLE PHASE SERVICE

FIGURE 3-1



DATE
11-19-03
DWN. BY
Tiffany Lema
DWG NAME
FIGURE3-1

200-400 AMP METER BASE
OVERHEAD SERVICE
ARRANGEMENTS

TILLAMOOK P.U.D.
OREGON 24 TILLAMOOK

**TILLAMOOK PEOPLE'S UTILITY DISTRICT
CONSTRUCTION GUIDELINES
OVERHEAD SERVICE**

1. Wire-out location on building must be approved by the Engineering Department.
2. Customer is responsible for installing the meter base to meet State and TPUD specifications as shown on the reverse.
3. Customer is responsible for obtaining a State electrical permit and a State inspection prior to the connection of electrical service. (State Electrical Inspector, 842-3440, located in Tillamook County Courthouse, Building Department).
4. If a service extension fee is required, the fee must be paid and line extension agreement signed prior to the installation of service.
5. Customer is responsible for filing an "Application for Service" card with the Engineering Department prior to scheduling the installation.
6. Cost estimates are good for 180 days only.
7. The mast of the meter base must extend through the roof.
8. Required easements, tree trimming permits, property descriptions and signatures are the responsibility of the customer.
9. Please refer to sketches on clearances.

These are only general requirements. Customer must meet or exceed NEC requirements. More specific requirements may be made on individual installations.