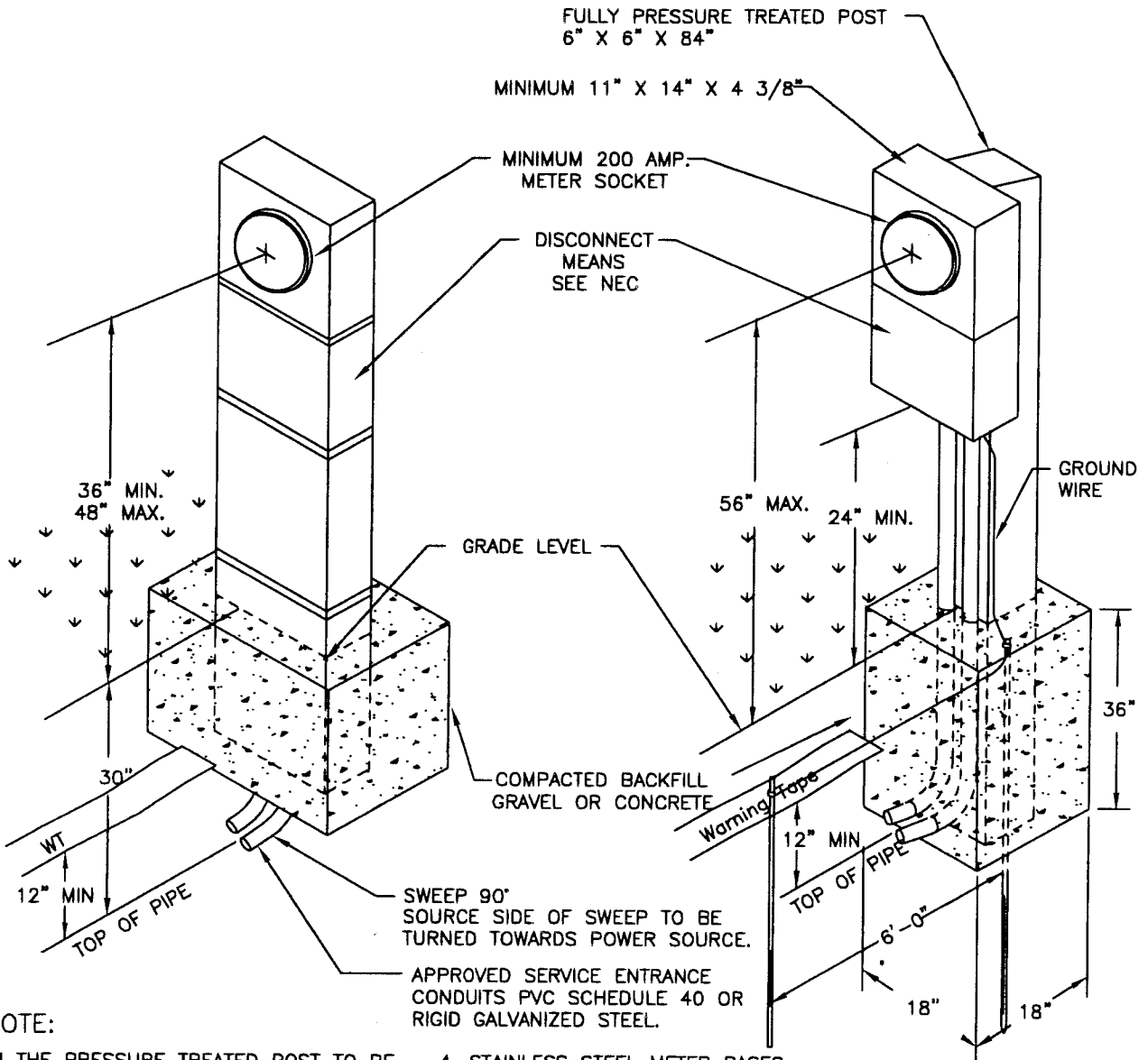


MANUFACTURED
SINGLE PHASE
UNDERGROUND PEDESTAL

CUSTOMER ASSEMBLED
SINGLE PHASE
UNDERGROUND PEDESTAL

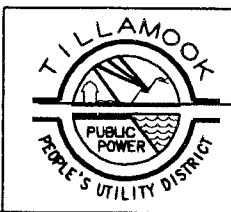
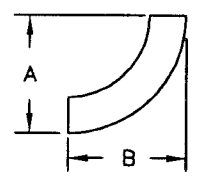


NOTE:

1. THE PRESSURE TREATED POST TO BE OF SUFFICIENT LENGTH TO ALLOW IT TO BE SET 36" BELOW GRADE LEVEL.
2. BOTH PEDESTALS TO HAVE 2 - 5/8" x 8'-0" COPPER GROUND RODS, INSTALLED SIX FEET APART WITH GROUND ROD CLAMPS AND WIRE.
3. CUSTOMER ASSEMBLED PEDESTAL TO HAVE CONDUIT SECURED TO POST IN AN APPROVED MANNER.
4. STAINLESS STEEL METER BASES ARE RECOMMENDED NEAR THE OCEAN FRONT.
5. ALL CONDUIT BETWEEN METER BASE & SECONDARY PEDESTAL, POLE OR PAD MOUNT TRANSFORMER SHALL BE INSTALLED BY THE CUSTOMER.

FIGURE 4-2

SWEEP 90°		
PVC	"A"	"B"
2"	30"	30"
3"	30"	30"
4"	30"	30"



200/400 AMP METER BASE
UNDERGROUND PEDESTAL
INSTALLATION

TILLAMOOK P.U.D.
OREGON 24 TILLAMOOK

DATE: 11-18-03
DWN. BY: Tiffany Lima
DWG NAME: FIGURE4-2